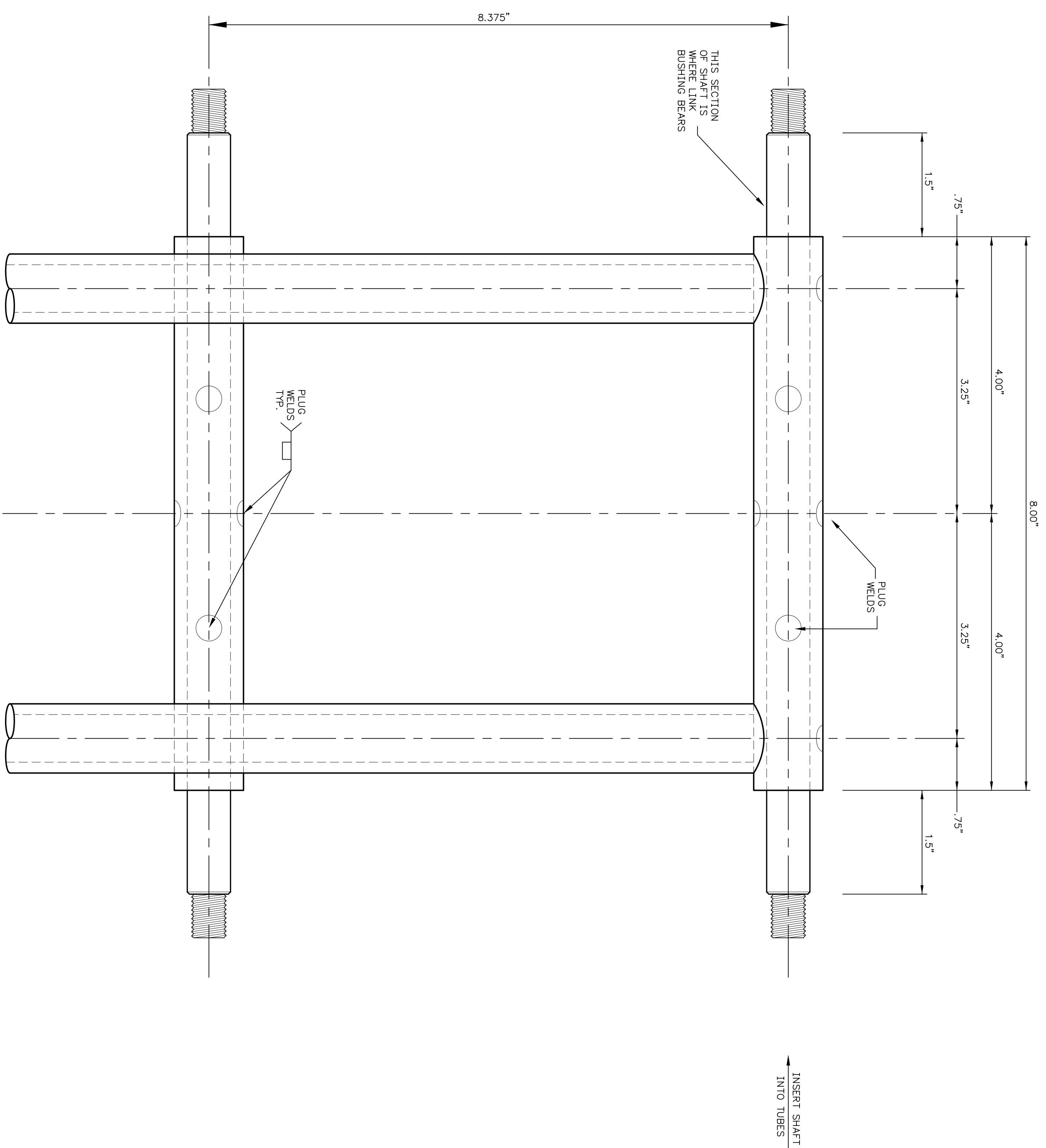
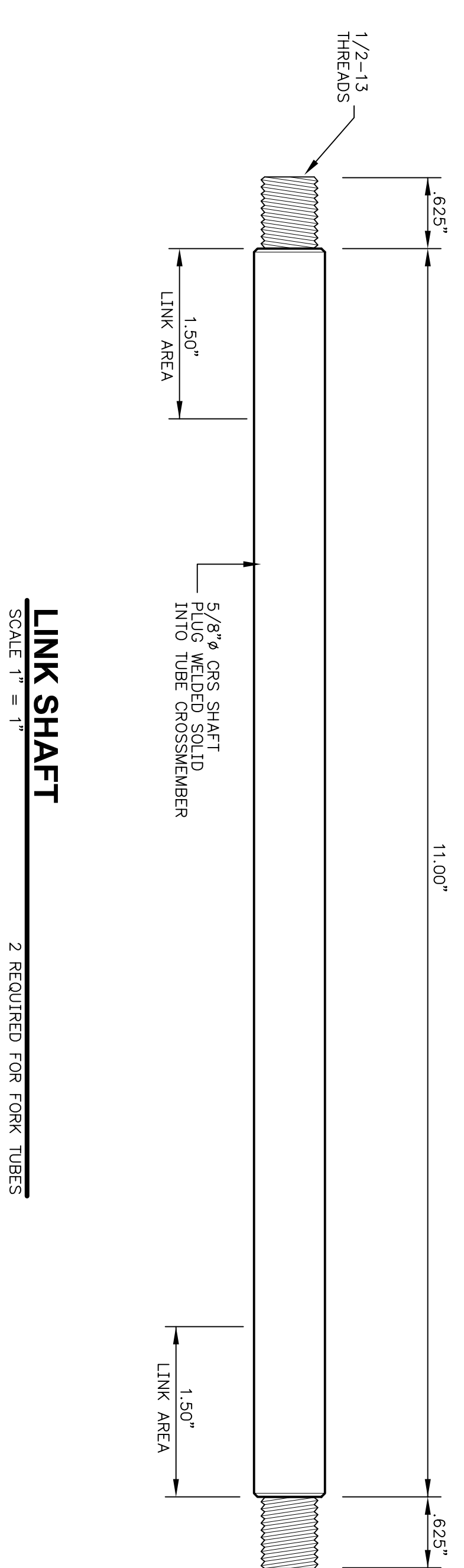


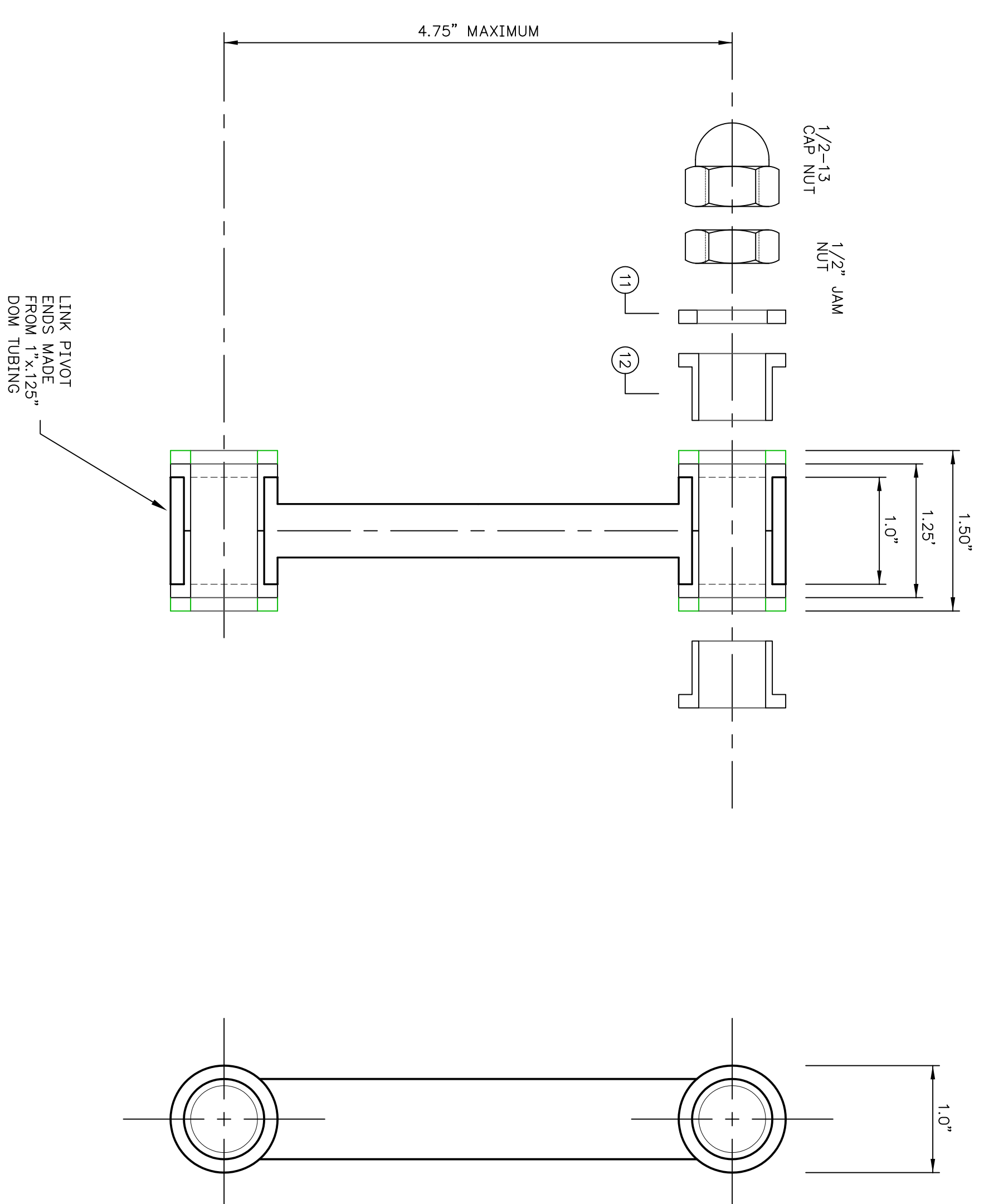
CHOPPER BUILDERS HANDBOOK



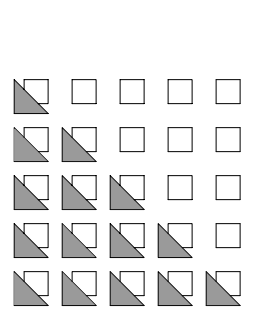
LINK SHAFTS AT FORK LEGS
SCALE 1" = 1"
VIEWED FROM FRONT



LINK SHAFT
SCALE 1" = 1"
2 REQUIRED FOR FORK TUBES



TYPICAL TUBE TYPE LINKS
SCALE 1" = 1"
4 REQUIRED



GARY W. WEISHAUPT

PERFORMANCE ENGINEERING
CHASSIS FABRICATION
FLOWBENCH TESTING
MACHINE WORK
RESTORATIONS

1480 RIVER PARK BLVD.
NAPA, CALIFORNIA 94659
Fax: 707-255-3427
email: gw@weishaupt.net

Revision	Date
• INITIAL LAYOUT	5-18-84
• AS-BUILT REV.	5-28-84
• AS-BUILT REV.	2-12-90
• AS-BUILT REV.	7-13-92
• BUILDCR REV.	9-3-93
• PUBLICATION	8-2-94
• PUBLICATION	1-25-98
• PUBLICATION	11-21-03
• PUBLICATION	12-18-05

**TYPICAL TUBE
GIRDER FORKS
DESIGN GF38-1**

**BASIC
DIMENSIONS**

Drawn By	GDW
Date	12-14-05
Checked By	HC
Title	12-16-05
Scale	1" = 1"
Proj. No.	1" = 1"
Project No.	-

**CONSTRUCTION
DETAILS**

Sheet No.
GF1.5