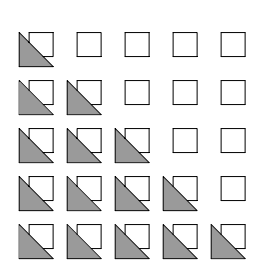


CHOPPER BUILDERS HANDBOOK

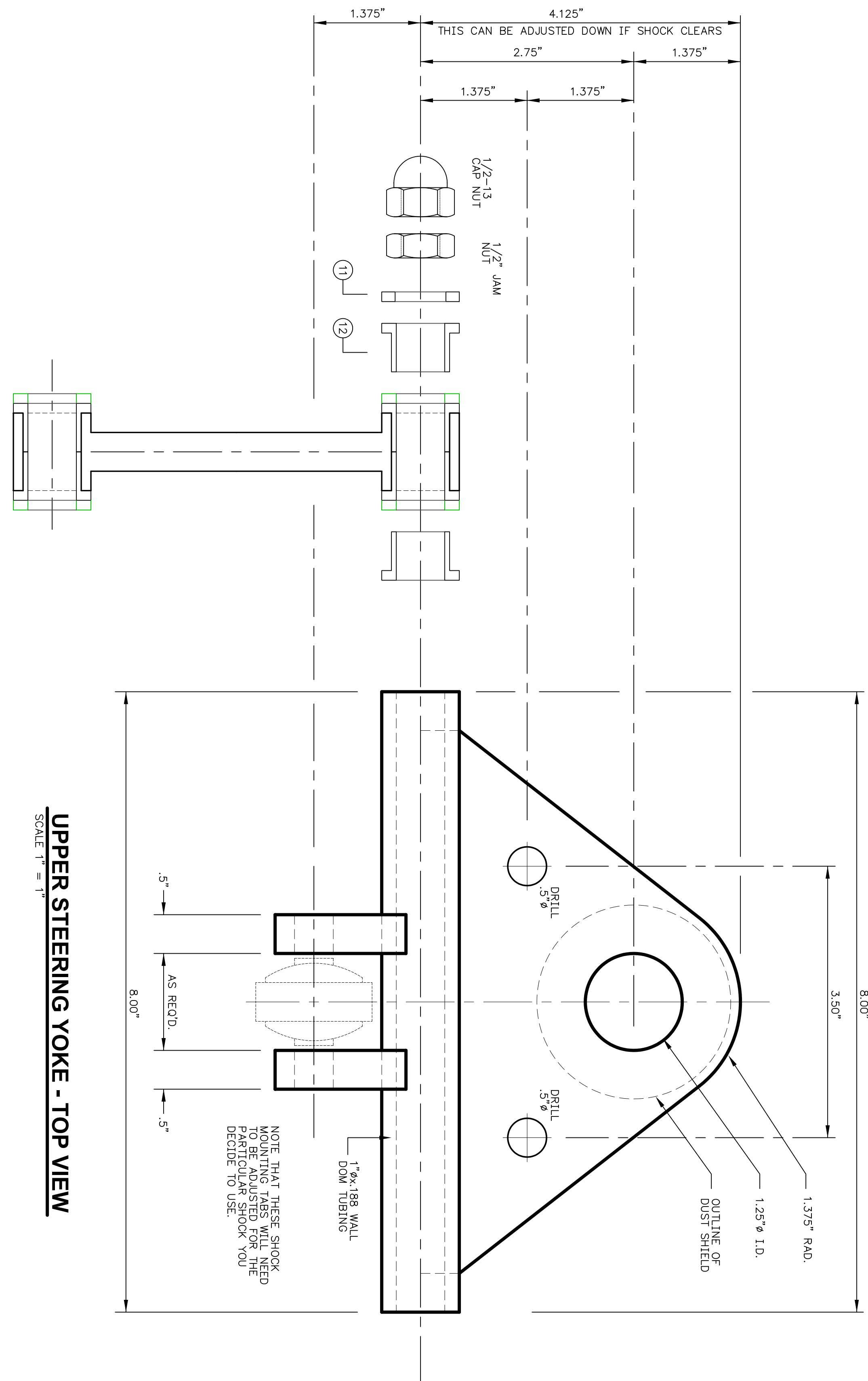


GARY W. WEISHAUPT

PERFORMANCE ENGINEERING
CHASSIS FABRICATION
FLOWBENCH TESTING
MACHINE WORK
RESTORATIONS

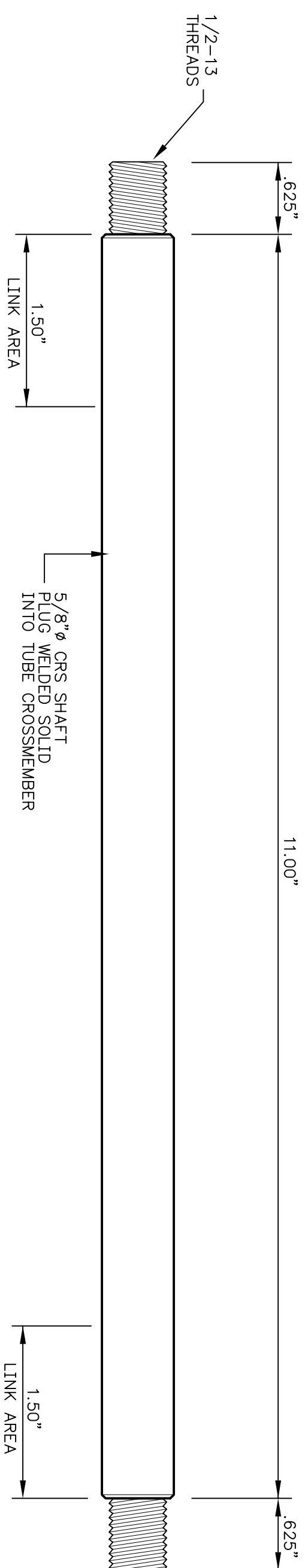
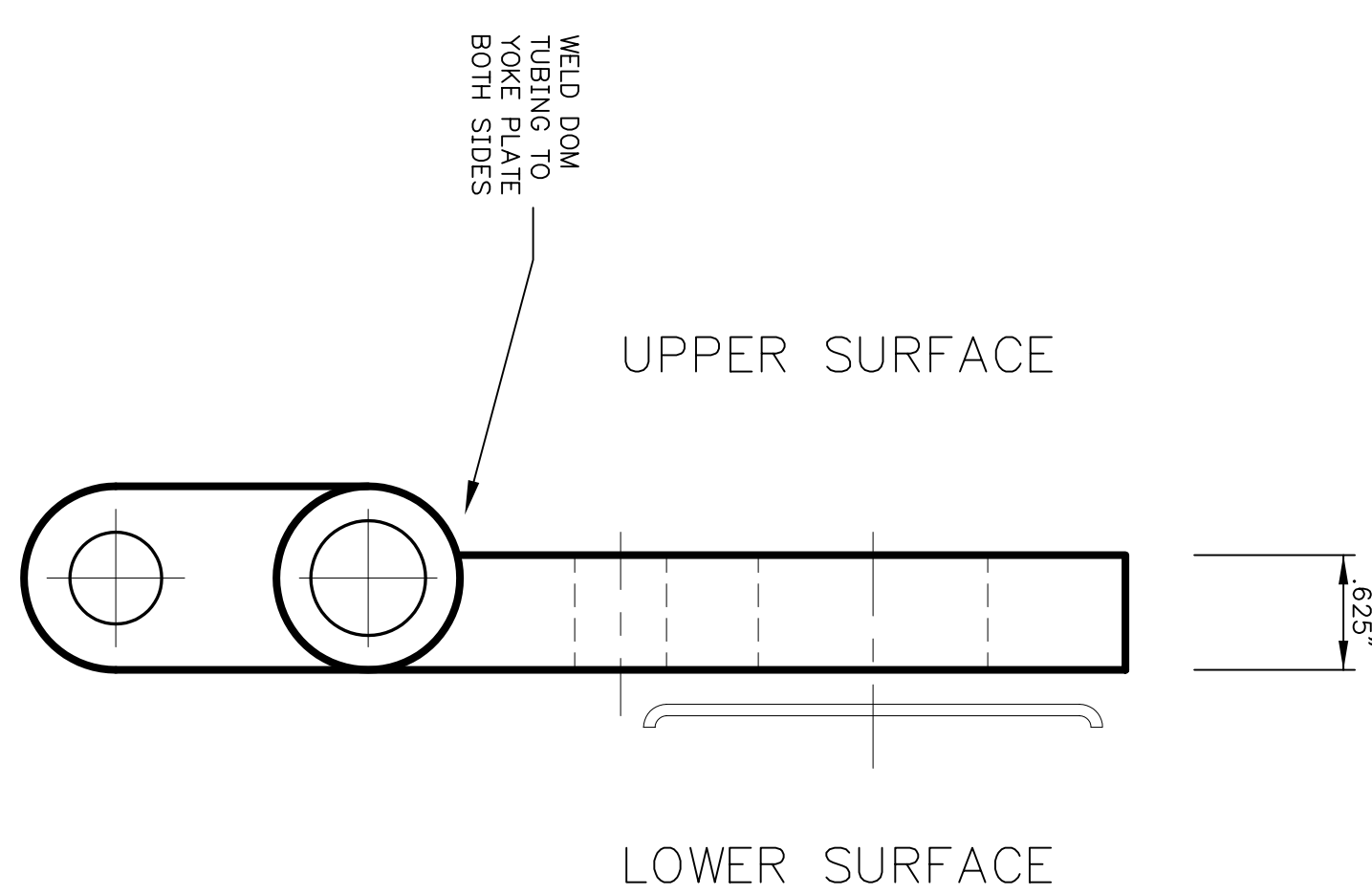
1480 BURG PARK BLVD.
NAPA, CALIFORNIA 94559
TEL: 707-252-3477
FAX: 707-252-3477
EMAIL: gw@weishaupt.net

Revision	Date
* INITIAL LAYOUT	5-18-84
* AS-BUILT REV.	5-28-84
* AS-BUILT REV.	2-12-90
* AS-BUILT REV.	7-15-92
* BUILDER REV.	9-3-93
* PUBLICATION	8-2-94
* PUBLICATION	1-25-98
* PUBLICATION	11-21-03
* PUBLICATION	12-18-05



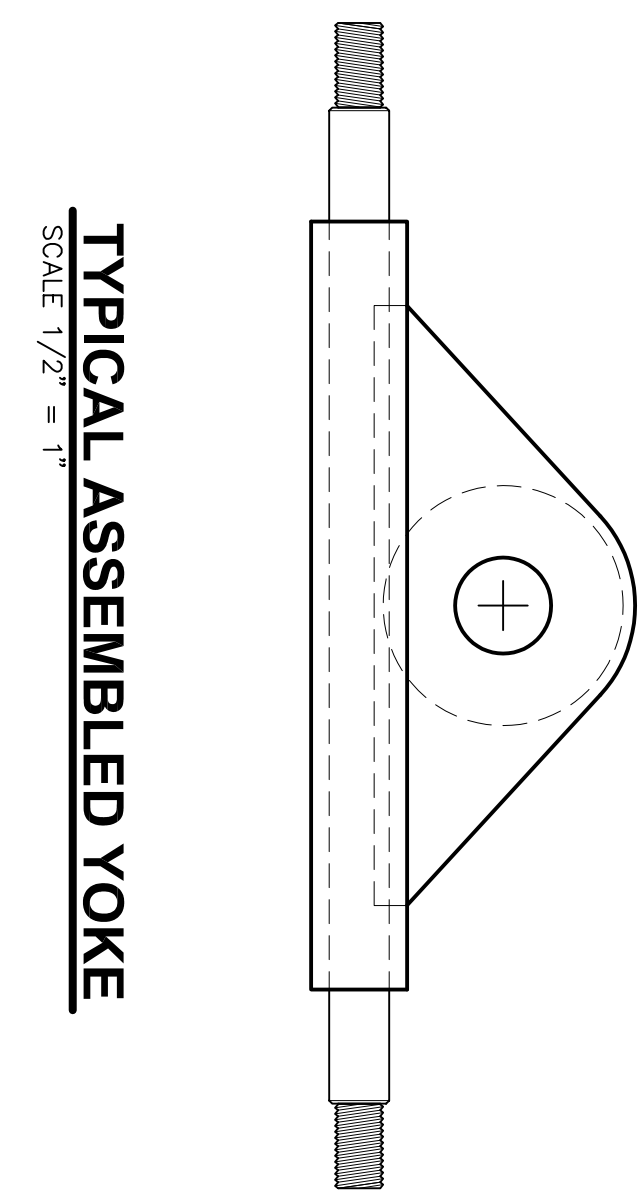
UPPER STEERING YOKE - TOP VIEW
SCALE 1" = 1"

END VIEW
SCALE 1" = 1"

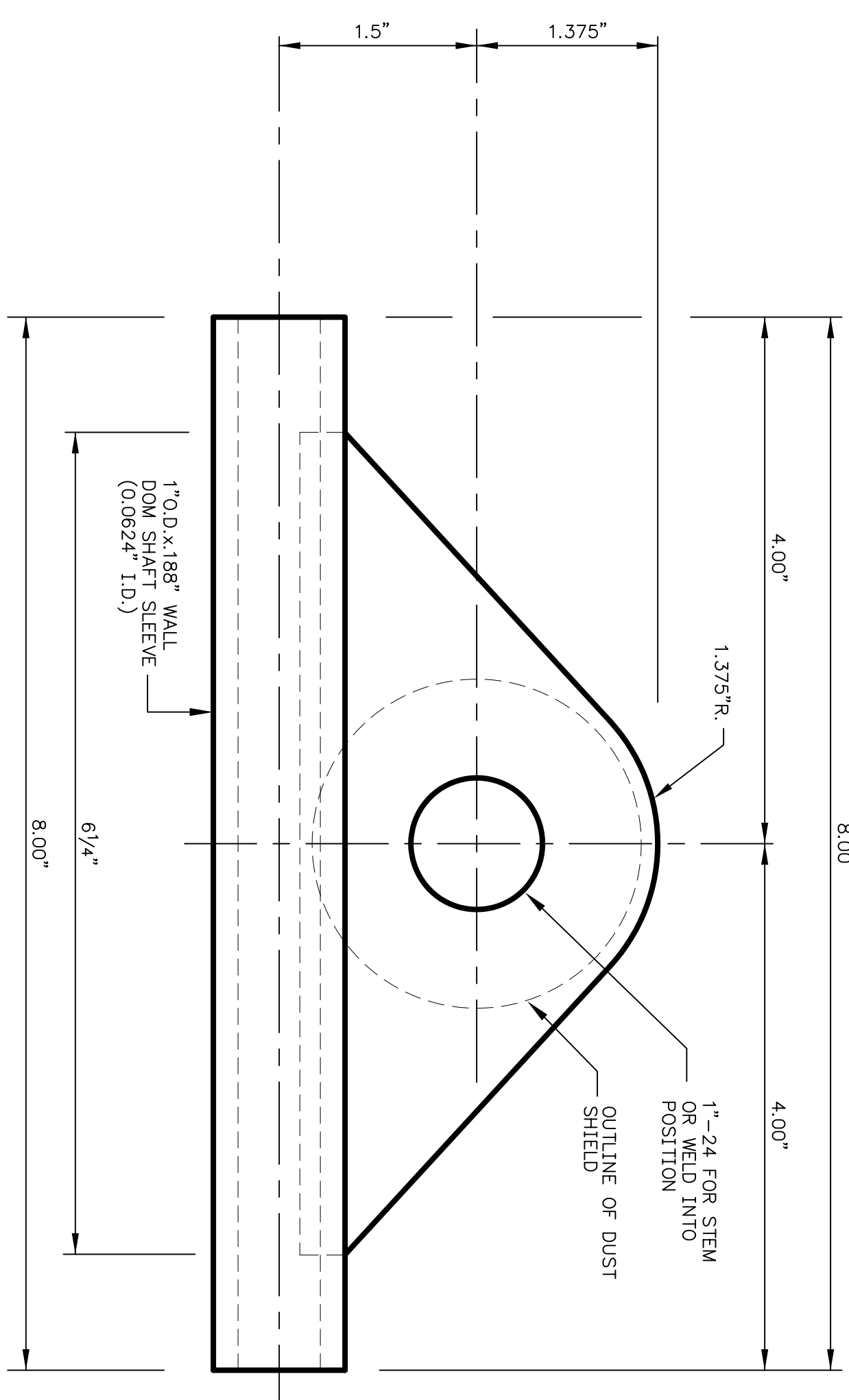


LINK SHAFT
SCALE 1" = 1"

SHAFTS ARE INSERTED INTO YOKE TUBES AND P/LO WELDED INTO PLACE

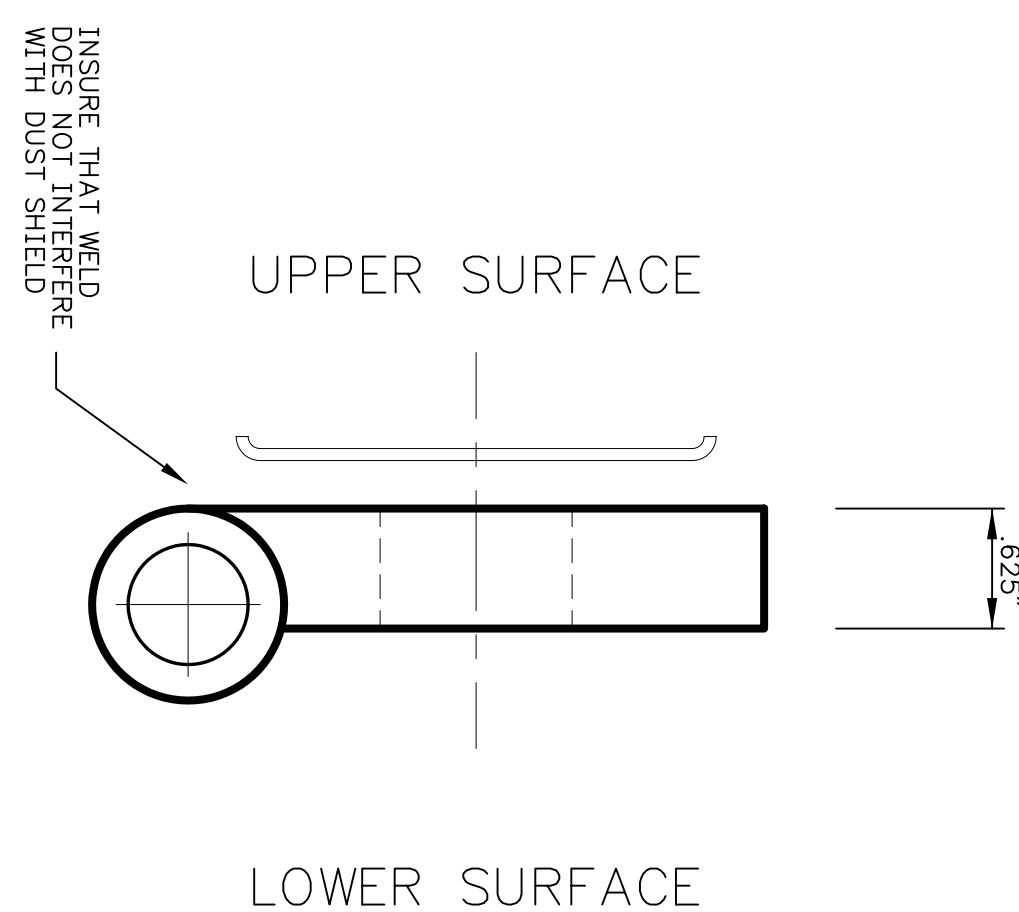


TYPICAL ASSEMBLED YOKE
SCALE 1/2" = 1"



LOWER STEERING YOKE - TOP VIEW
SCALE 1" = 1"

END VIEW
SCALE 1" = 1"



Project Title
**GIRDER FORKS
DESIGN GF38-1**

**BASIC
DIMENSIONS**

Drawn By	GMW
Title	12-14-05
Checked By	HC
Date	12-16-05
Scale	1" = 1"
Proj. Alt.	1" = 1"
Sheet No.	1

Sheet Description
**STEERING YOKES
AND LINKS**

Sheet No.
GF1.3