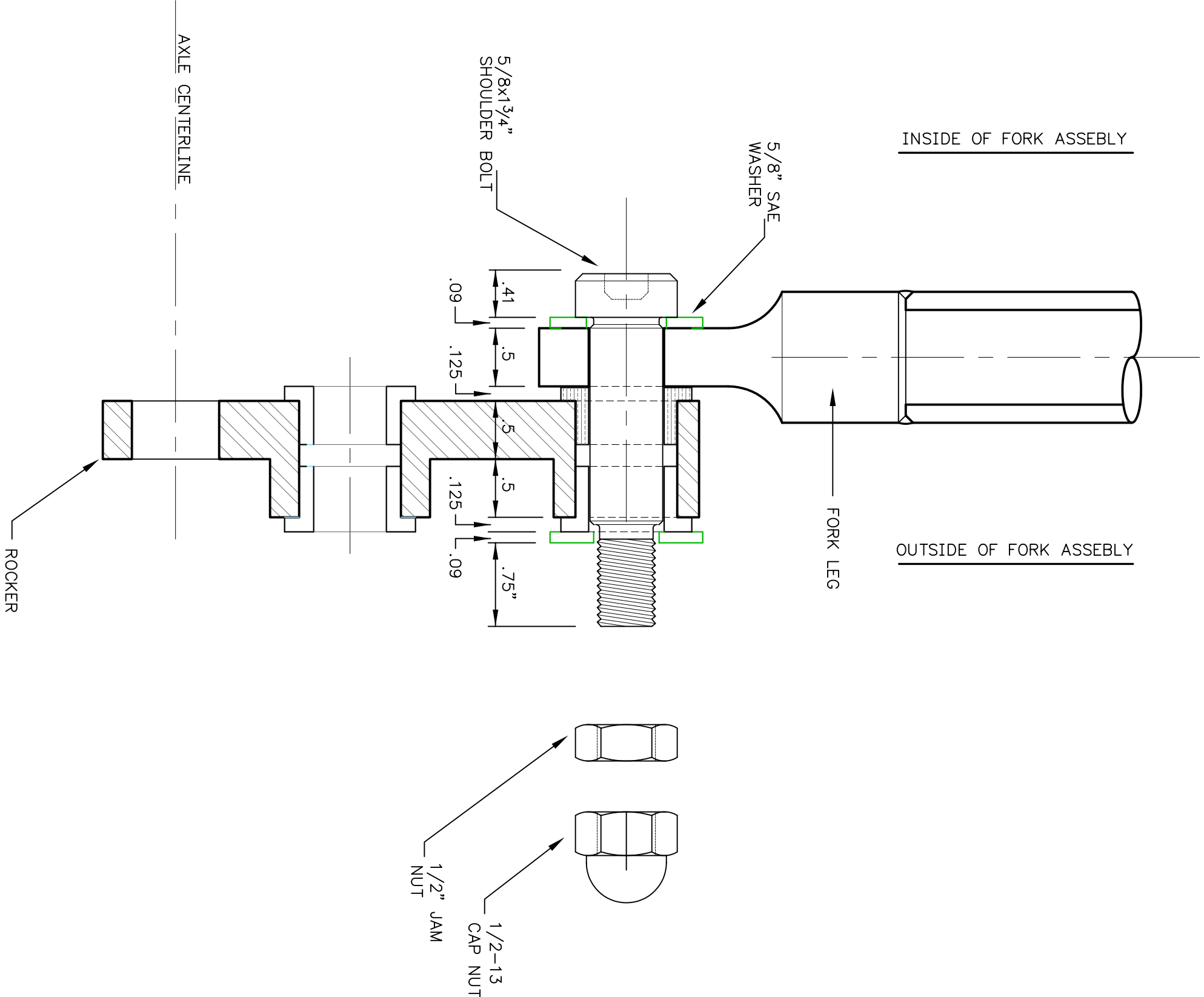
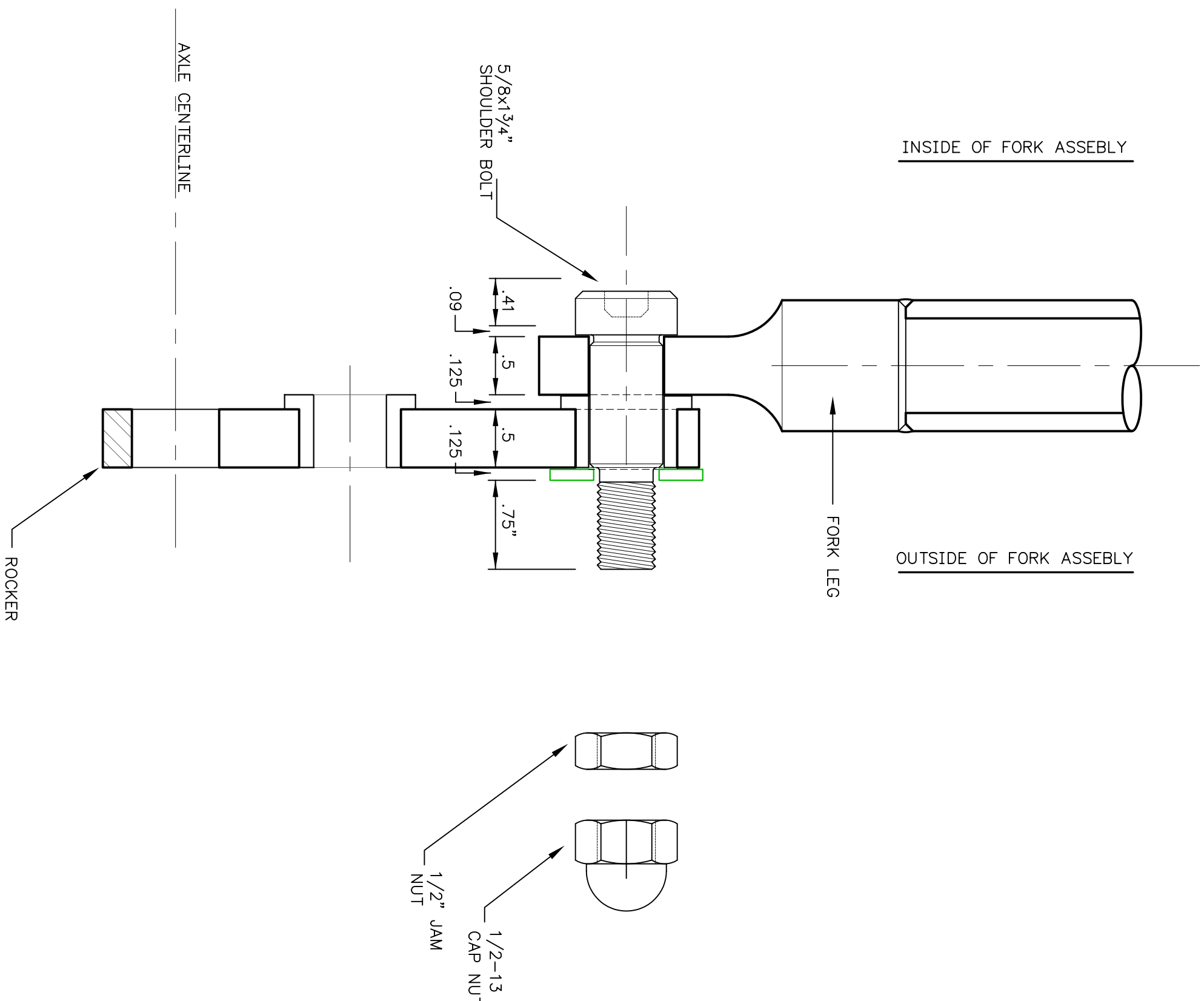


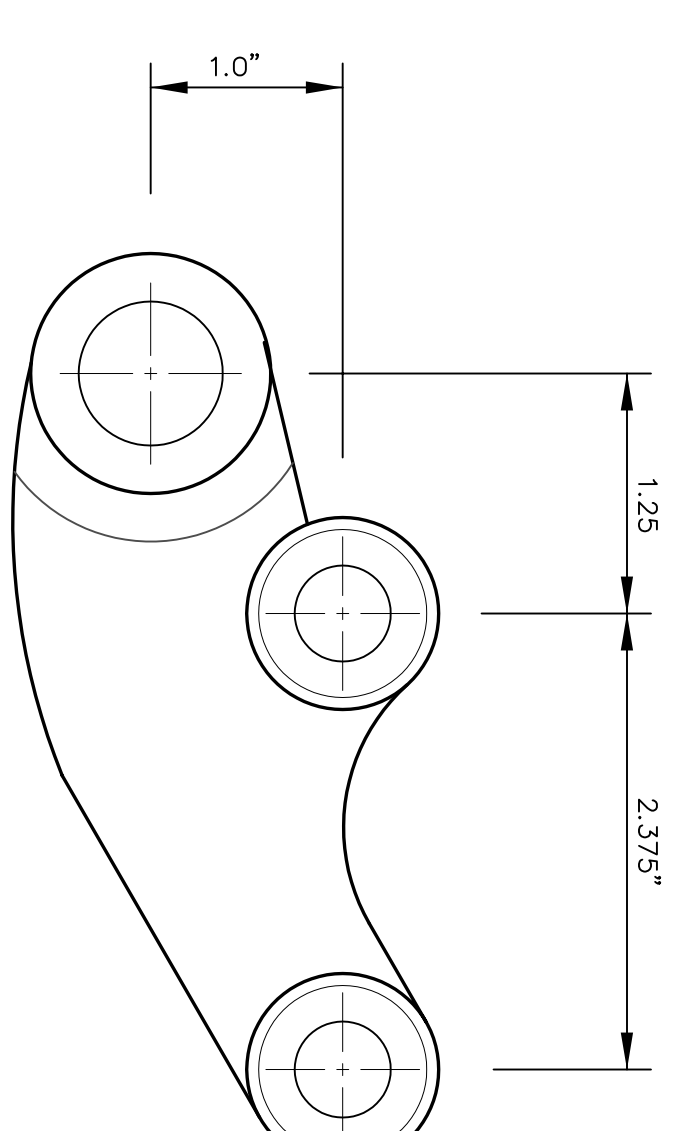
CHOPPER BUILDERS HANDBOOK



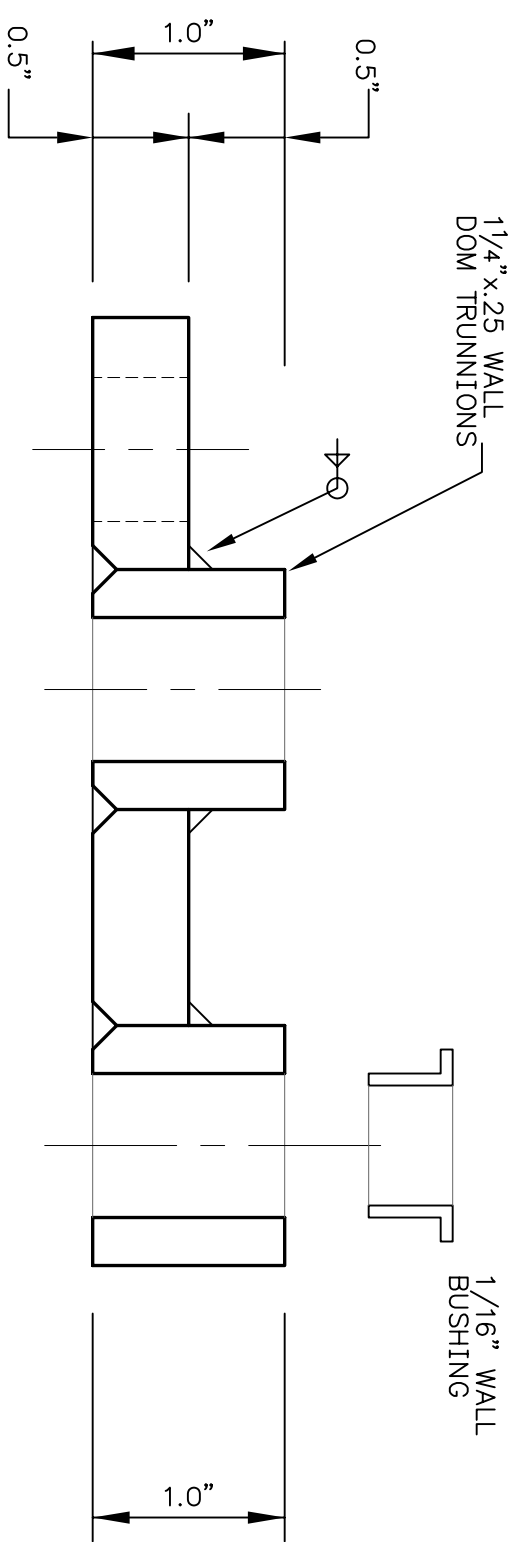
**ROCKER ATTACHMENT SCHEMATIC
TRUNNION STYLE ROCKERS**
SCALE 1" = 1"



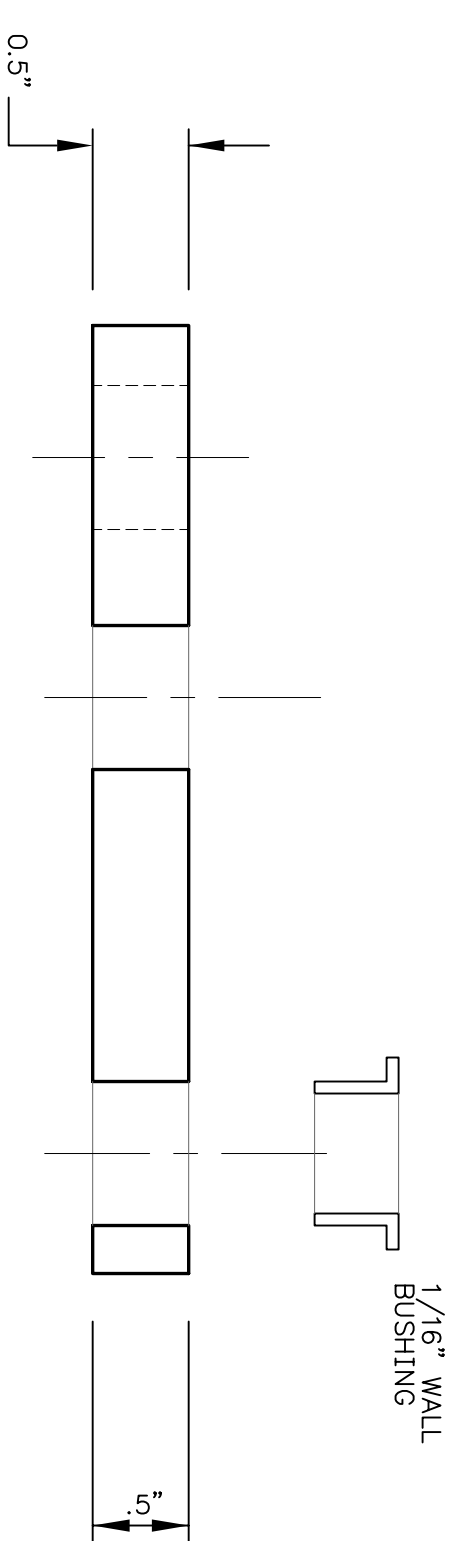
**ROCKER ATTACHMENT SCHEMATIC
FLAT STYLE ROCKERS**
SCALE 1" = 1"



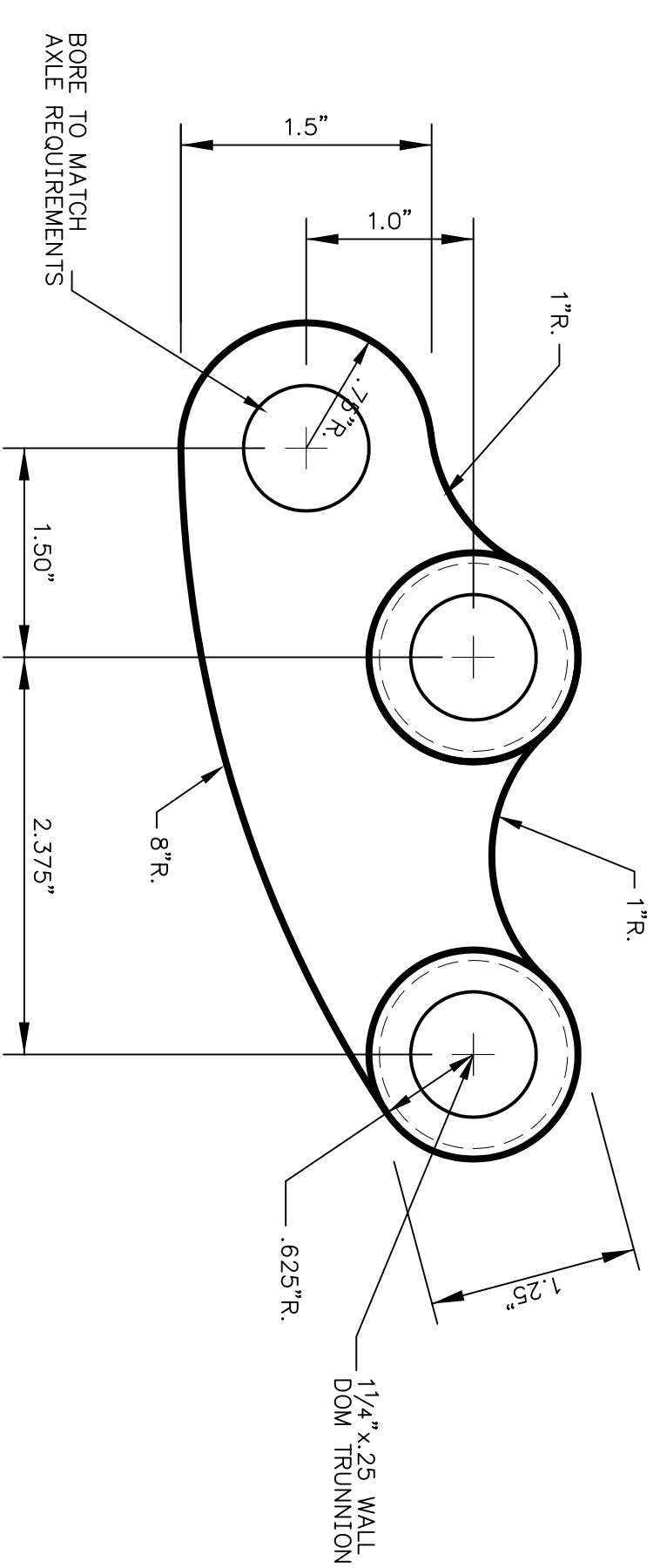
STOCK UL ROCKER
SCALE 1" = 1" (FOR REFERENCE ONLY)



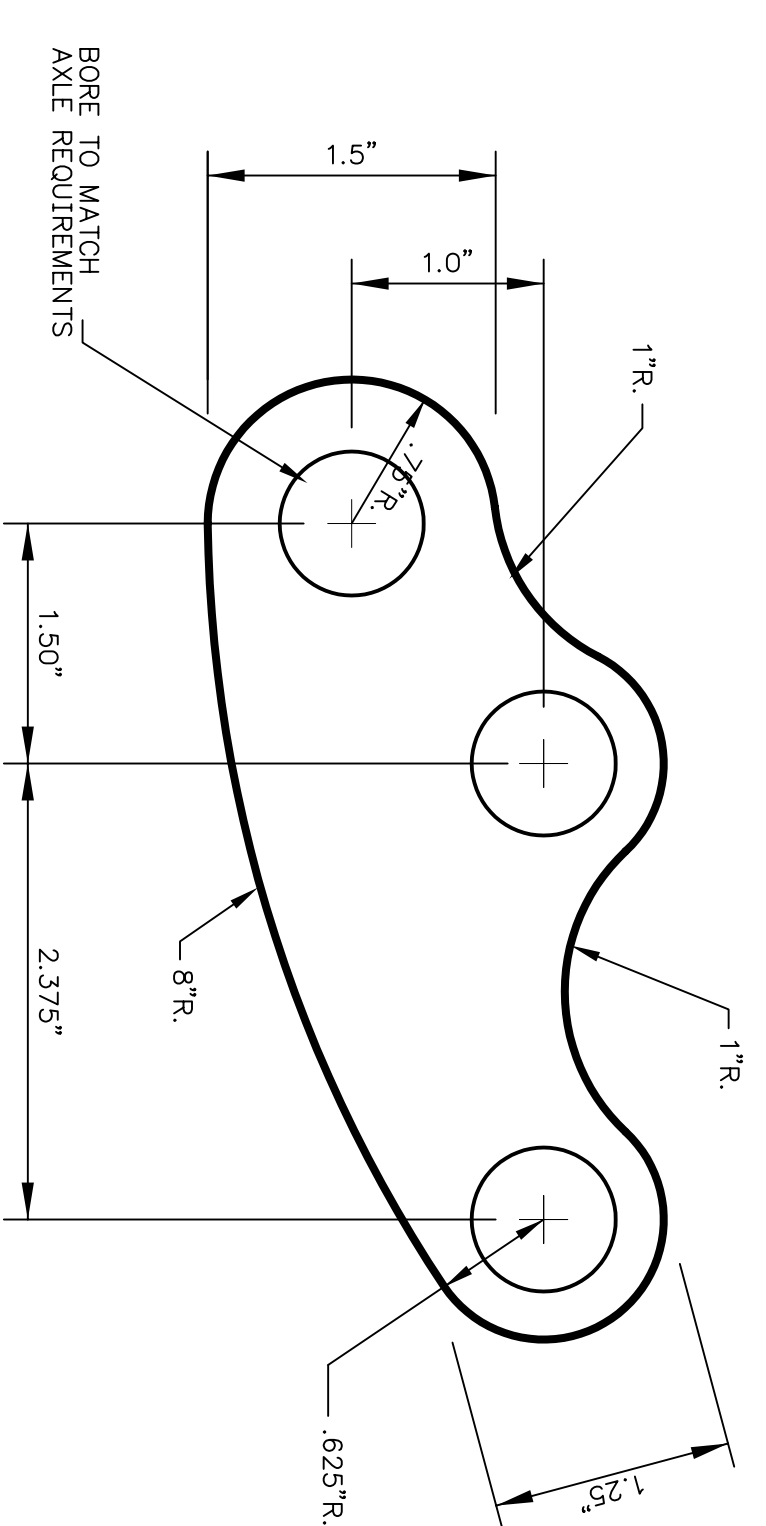
TRUNNION STYLE ROCKER - SECTION
SCALE 1" = 1"



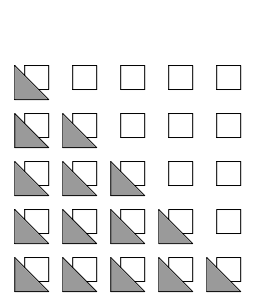
FLAT STYLE ROCKER - SECTION
SCALE 1" = 1"



TRUNNION STYLE ROCKER - SIDE VIEW
SCALE 1" = 1"



FLAT STYLE ROCKER - SIDE VIEW
SCALE 1" = 1"



GARY W. WEISHAUPT

**PERFORMANCE ENGINEERING
CHASSIS FABRICATION
FLOWMACH TESTING
MACHINE WORK
RESTORATIONS**

1490 RIVER PARK BLVD.
NAPA, CALIFORNIA 94559
Tel: 707-252-3427
Fax: 707-252-3427
email: gw@weishaupt.com

Revision	Date
• INITIAL LAYOUT	6-12-01
• AS-BUILT REVISIONS	8-22-02
• AS-BUILT REVISIONS	11-18-03
• AS-BUILT REVISIONS	12-28-02
• BUILDER REVISIONS	2-28-04
• PUBLICATION	11-14-05

CHOPPER BUILDERS HANDBOOK

SPRINGER FORKS

PLAN SF-19-1

Drawn By	DNW
Date	11-14-05
Checked By	HC
Title	11-16-05
Scale	1"=1"
Part No.	1"=1"
Project No.	-

ROCKER ASSEMBLIES

SF1.6