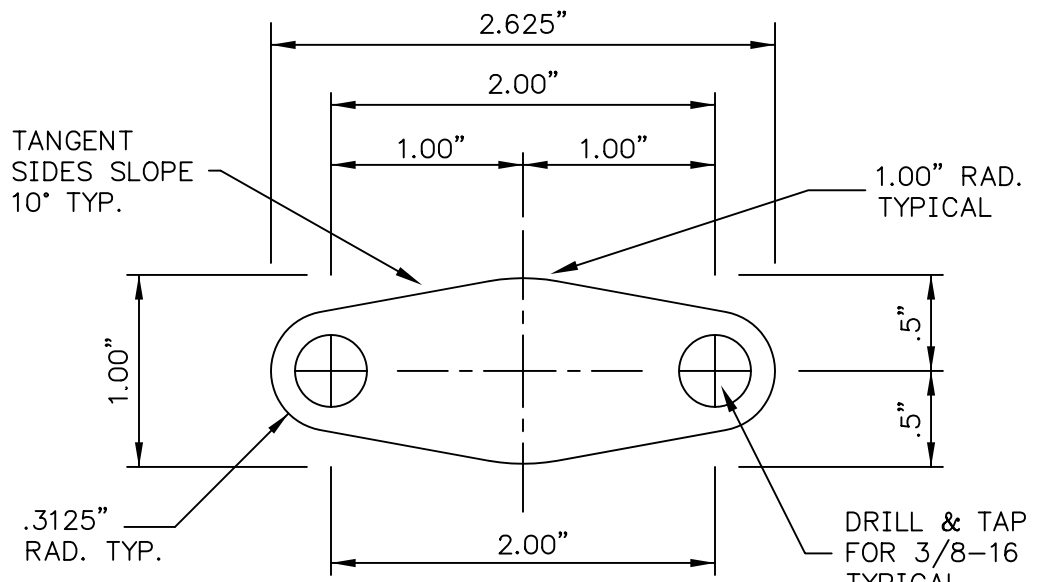


SHIFT SIDE



BRAKE SIDE

MATERIAL TO BE 3/8" THICK
COLD ROLLED STEEL

© 2001,02,03,04,05 G.W. WEISHAUP, ALL RIGHTS RESERVED.

FORWARD CONTROL MOUNTS	SCALE 1" = 1"
CHOPPER BUILDERS HANDBOOK HTTP://WWW.CHOPPERHANDBOOK.COM	FCMT1.1