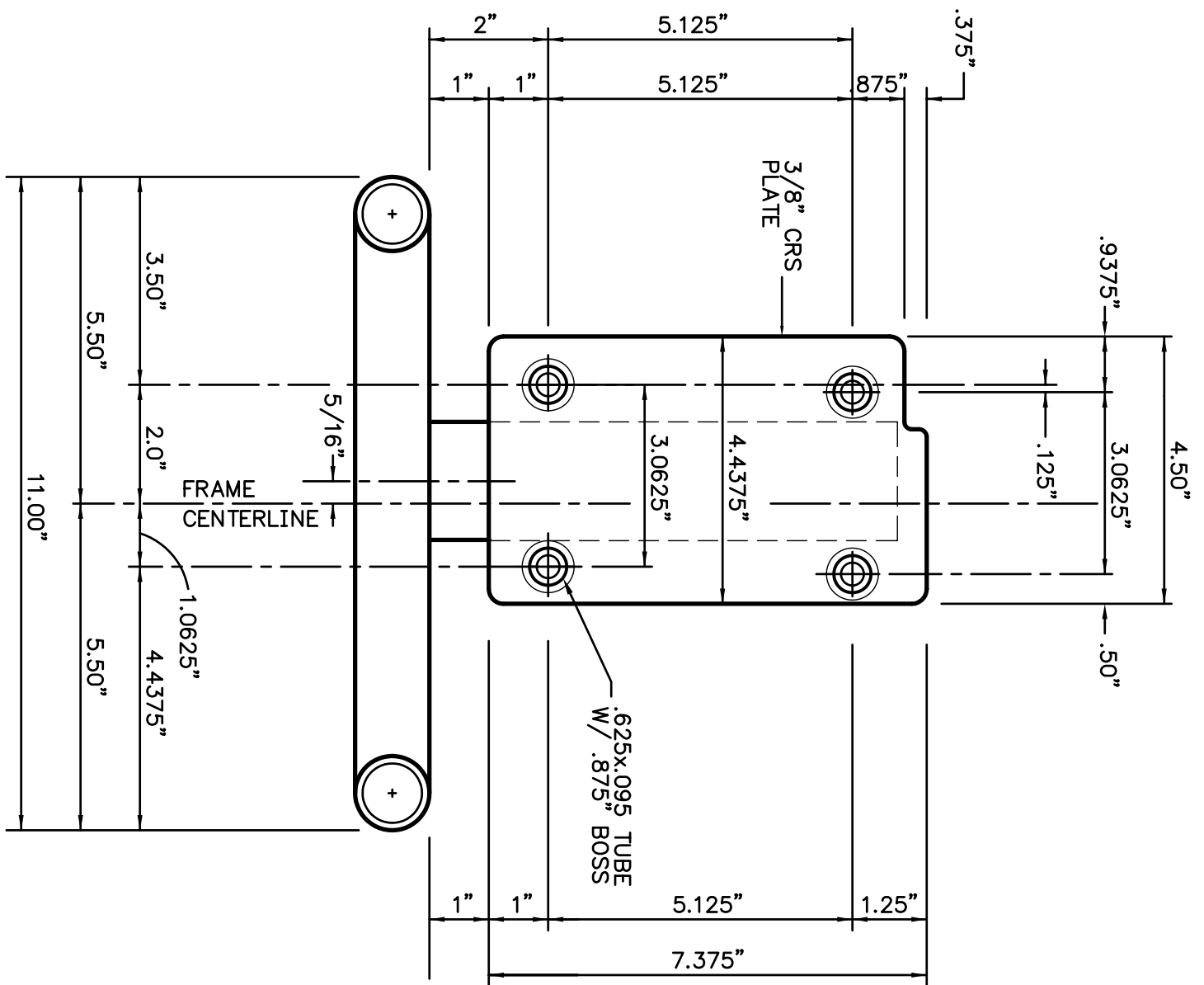
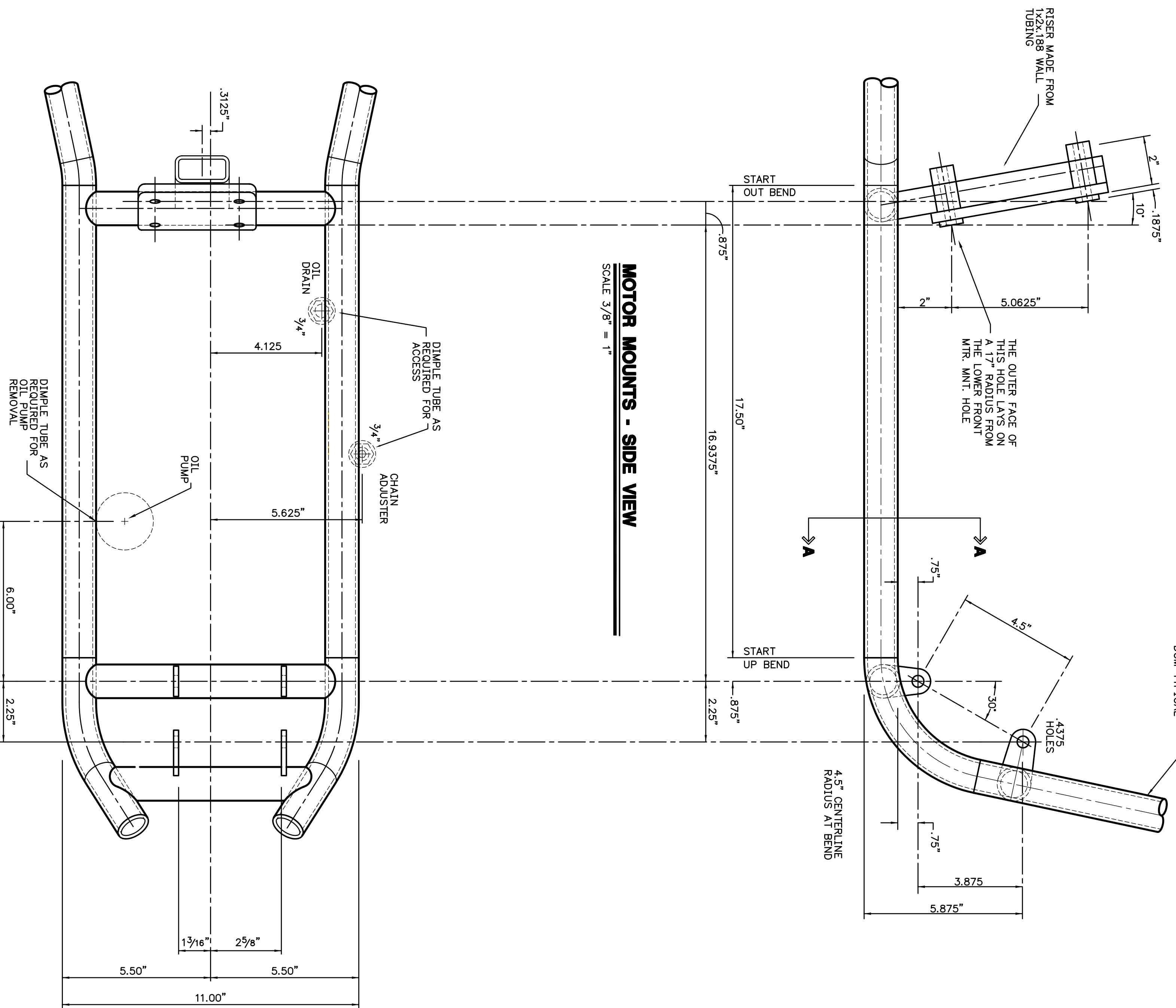


CHOPPER BUILDERS HANDBOOK

© 2001-06 G.W. WEISHAUP, ALL RIGHTS RESERVED.

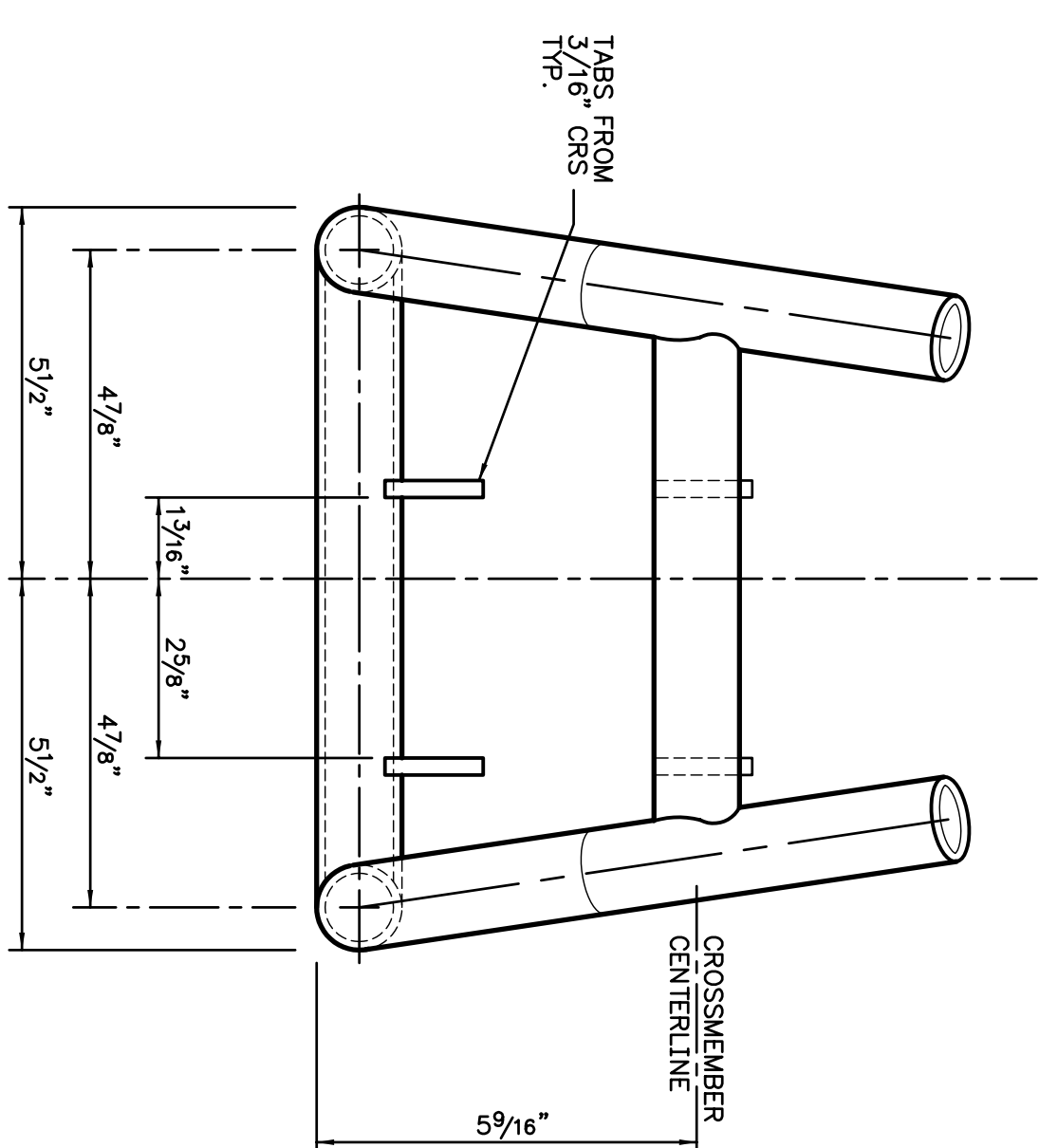


REAR MOTOR MOUNT PLATE
(VIEWED AFT FOR DRILLING PATTERN)
SCALE 3/8" = 1"



MOTOR MOUNTS - SIDE VIEW
SCALE 3/8" = 1"

MOTOR MOUNTS - PLAN VIEW (VIEWED FROM TOP)
SCALE 3/8" = 1"



SECTION A-A (LOOKING FORWARD)
SCALE 3/8" = 1"

GENERAL NOTES

- THIS SERIES OF DRAWINGS HAS BEEN DEVELOPED FOR THE SOLE PURPOSE OF ASSISTING CHOPPER BUILDERS IN THE CONSTRUCTION OF CUSTOM MOTORCYCLE FRAMES. DO NOT USE THESE DRAWINGS DURING THE RESTORATION OR REBUILDING OF A STOCK FRAME.
- THE FRAMES SHOWN HEREIN ARE INTENDED FOR USE WITH STOCK HP MOTORCYCLE ENGINES. FOR HIGH PERFORMANCE ENGINES, CONSULT THE DESIGNER FOR HIGH PERFORMANCE MODIFICATIONS.
- FRAMES AND/OR COMPONENTS DEPICTED HEREIN ARE INTENDED TO BE CONSTRUCTED BY SKILLED PROFESSIONAL WELDERS AND FABRICATORS WHO WILL NOT BE RESPONSIBLE FOR DAMAGES THAT RESULT FROM THE MISAPPROPRIATE APPLICATION AND INTERPRETATION OF THESE DRAWINGS OR SUB-STANDARD WORKMANSHIP.
- NOTE THAT UNLESS SPECIFIED OTHERWISE ALL TUBING BENDS ARE BASED UPON A 4.5" CENTERLINE RADIUS USING 1.25" O.D. TUBING.
- THE MINIMUM TUBING SPECIFICATION IS TO BE 1.25" O.D. x .120" WALL THICKNESS. THE MINIMUM TUBING SPECIFICATION FOR BACKBONE AND MOTOR MOUNT CROSS MEMBERS SHALL BE MINIMUM 1.875" WALL THICKNESS.
- THE MINIMUM DIMENSIONS SHOWN HEREIN ARE BASED UPON THE BEST AVAILABLE DIMENSIONS FOR COMPONENTS YOU MAY HAVE DEPENDING UPON YOUR PARTICULAR COMPONENTS YOU MAY HAVE TO MAKE MINOR MODIFICATIONS FOR SPECIFIC EQUIPMENT.

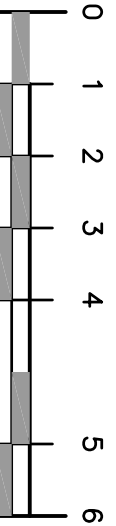
- 1
- 2
- 3
- 4
- 5
- 6
- 7
- 8
- 9
- 10
- 11
- 12
- 13
- 14
- 15
- 16
- 17
- 18
- 19
- 20
- 21
- 22
- 23
- 24
- 25
- 26
- 27
- 28
- 29
- 30
- 31
- 32
- 33
- 34
- 35
- 36
- 37
- 38
- 39
- 40
- 41
- 42
- 43
- 44
- 45
- 46
- 47
- 48
- 49
- 50
- 51
- 52
- 53
- 54
- 55
- 56
- 57
- 58
- 59
- 60
- 61
- 62
- 63
- 64
- 65
- 66
- 67
- 68
- 69
- 70
- 71
- 72
- 73
- 74
- 75
- 76
- 77
- 78
- 79
- 80
- 81
- 82
- 83
- 84
- 85
- 86
- 87
- 88
- 89
- 90
- 91
- 92
- 93
- 94
- 95
- 96
- 97
- 98
- 99
- 100

GARY W. WEISHAUP
PERFORMANCE ENGINEERING
CHASSIS FABRICATION
FLOWBENCH TESTING
MACHINE WORK

1490 NORTH PARK BLVD
NAPA, CALIFORNIA 94559
PH: 707-252-3427
FAX: 707-252-3427
EMAIL: gw@252chassis.net

Revision	Date
INITIAL LAYOUT	6-12-02
REVISION	3-8-05

PRELIMINARY



PROJECT TITLE
PROTOTYPE RIGID
EVO SPORTSTER
CHOPPER FRAME

THE BOBCAT

Drawn By: GWW
Date: 3-8-05
Checked By: HC
Scale: 3/8" = 1"
Proj. Side: .375:1
Project No.: BC-6-05

Sheet Title:
MOTOR MOUNT
VIEWS

Sheet No.
BC 1.2