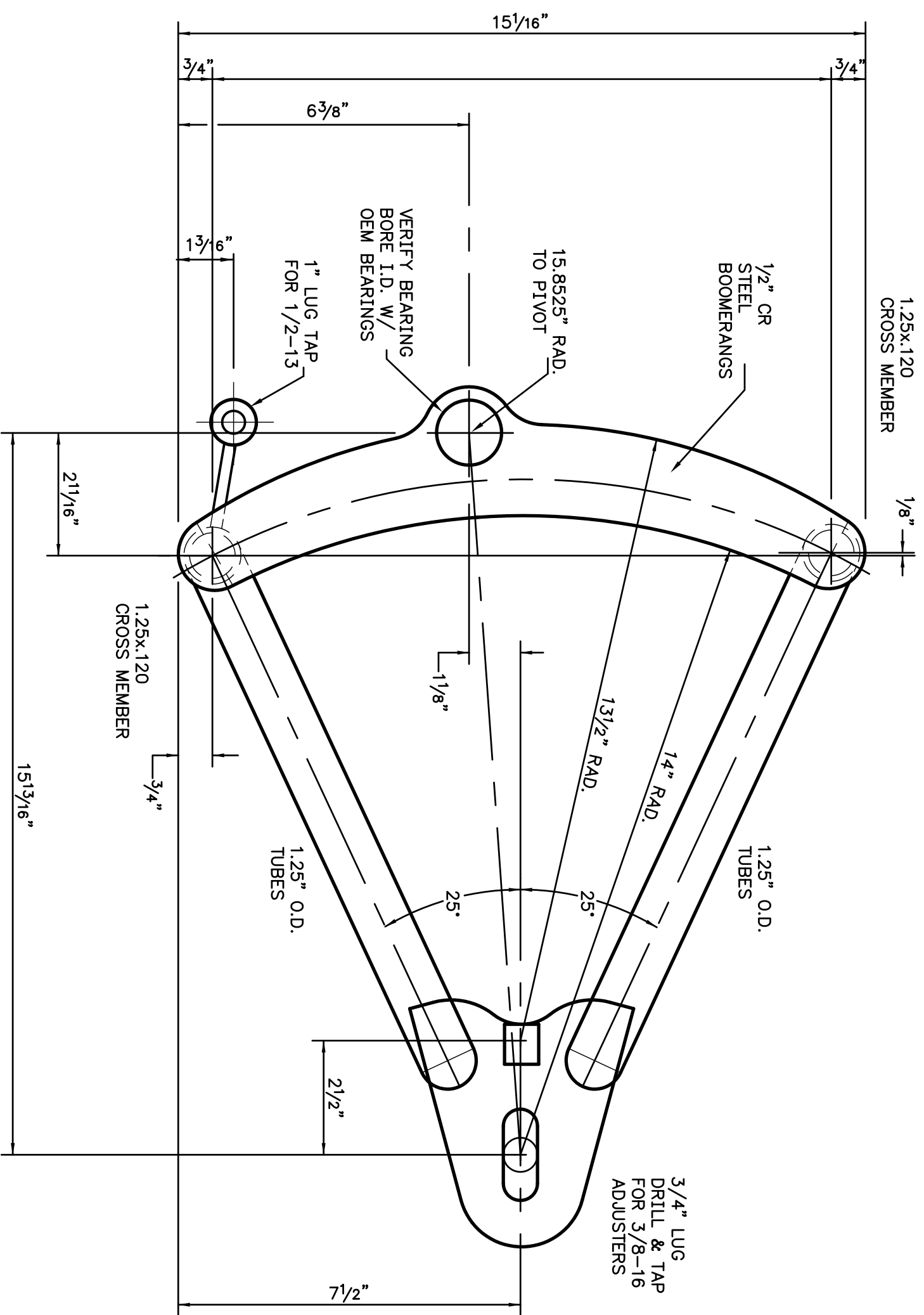
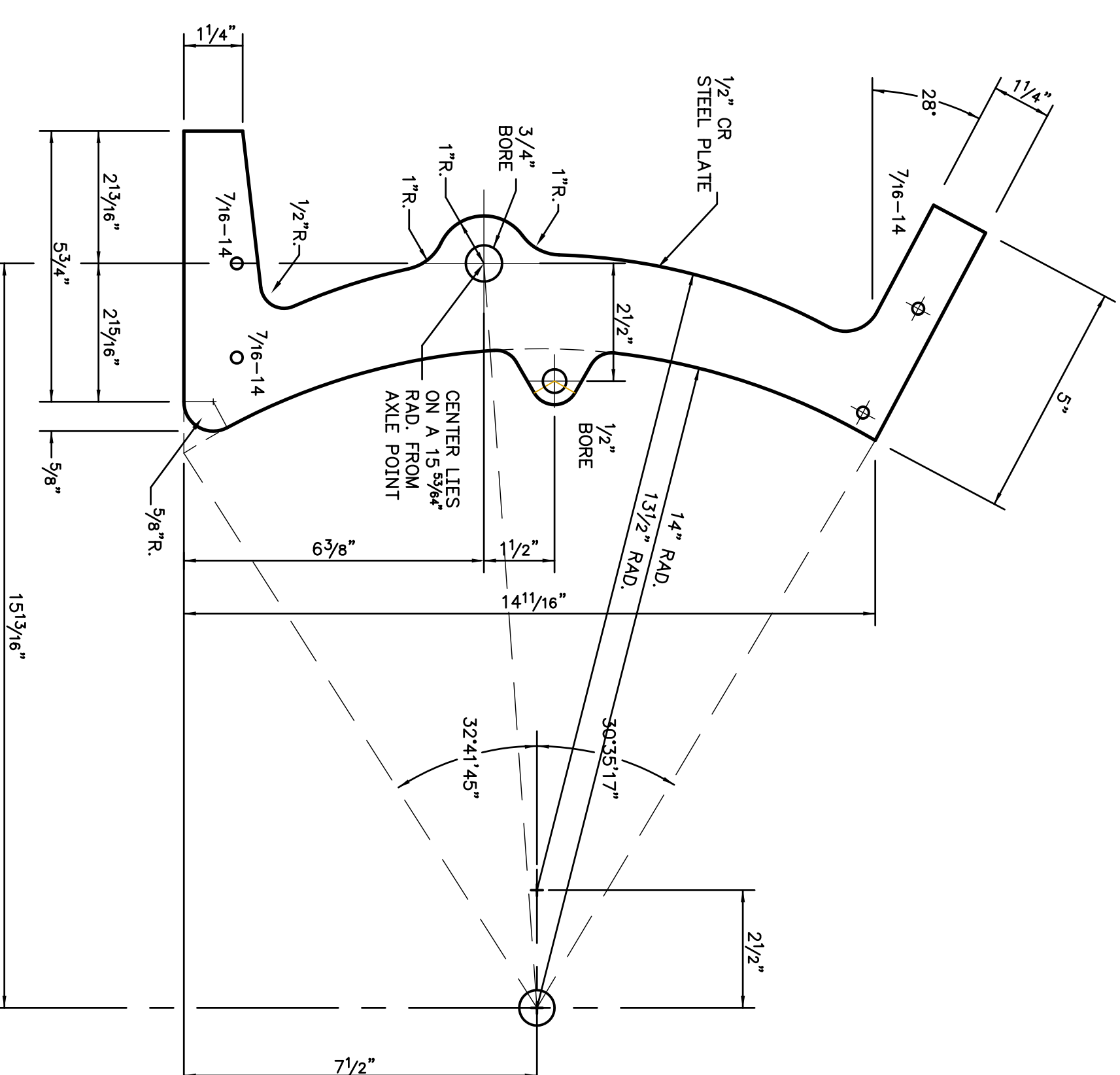


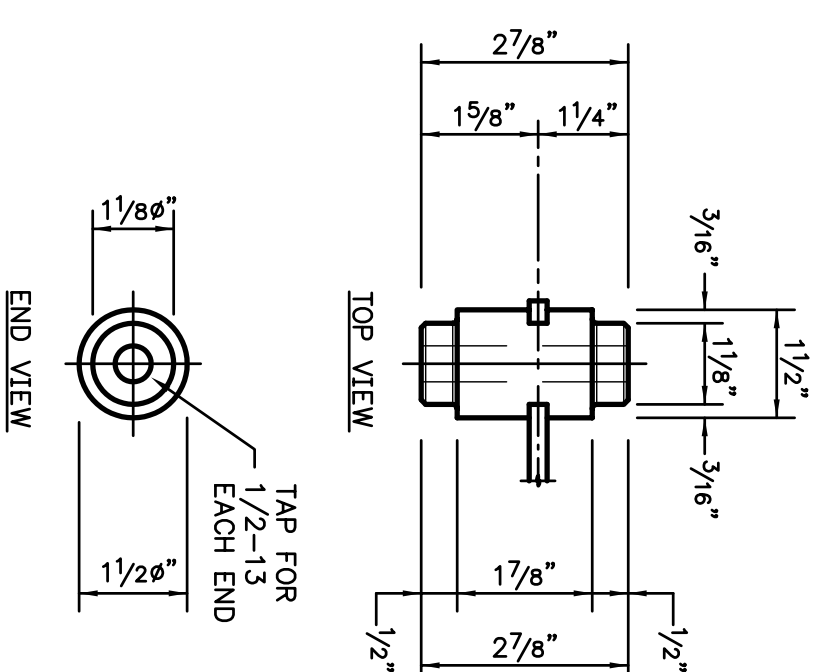
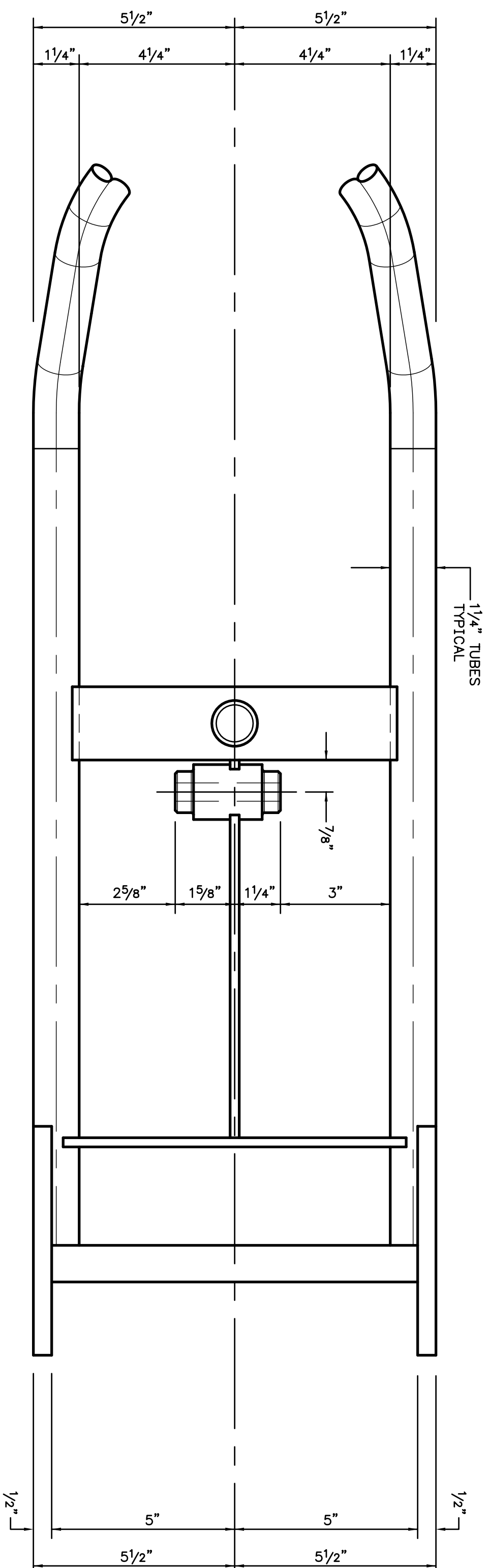
CHOPPER BUILDERS HANDBOOK



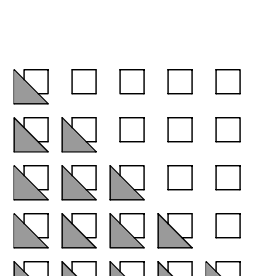
SWINGARM BOOMERANGS - (SIDE VIEW)
SCALE 3/8" = 1" (2 REQUIRED)



FRAME AXLE CARRIER STANCHIONS - (SIDE VIEW)
SCALE 3/8" = 1" (2 REQUIRED)



SHOCK CARRIER LEVEL OF FRAME LOWER RAILS
SCALE 3/8" = 1"



GARY W. WEISHAUP
PERFORMANCE ENGINEERING
DESIGN & ANALYSIS
FLOWBENCH TESTING
MACHINE WORK
RESTORATIONS

1480 RIVER PARK BLVD.
LAKE ARROWHEAD, CALIFORNIA 94459
PHONE: 760-933-9333
email: gw@256net.com

| Revision | Date |
|--------------------|----------|
| • INITIAL LAYOUT | 12-7-04 |
| • GENERAL REVISION | 12-28-04 |
| • GENERAL REVISION | 1-4-05 |
| | |
| | |
| | |
| | |

Project Title
**SOFTAIL
CHOPPER
FRAME**

REFERENCE DATA

| | |
|-------------------|----------------------------|
| Drawn By | GWW |
| Scale | 1-9-04 |
| Checked By | HC |
| Date | 1-9-04 |
| Size | 3/8" = 1" |
| Proj. No. | - |
| Sheet Description | SOFTAIL CHOPPER DETAILS |
| Design | ST-180 |
| Part Name | "SNEAKY-PETE" |

Sheet No.
ST-180.3

