

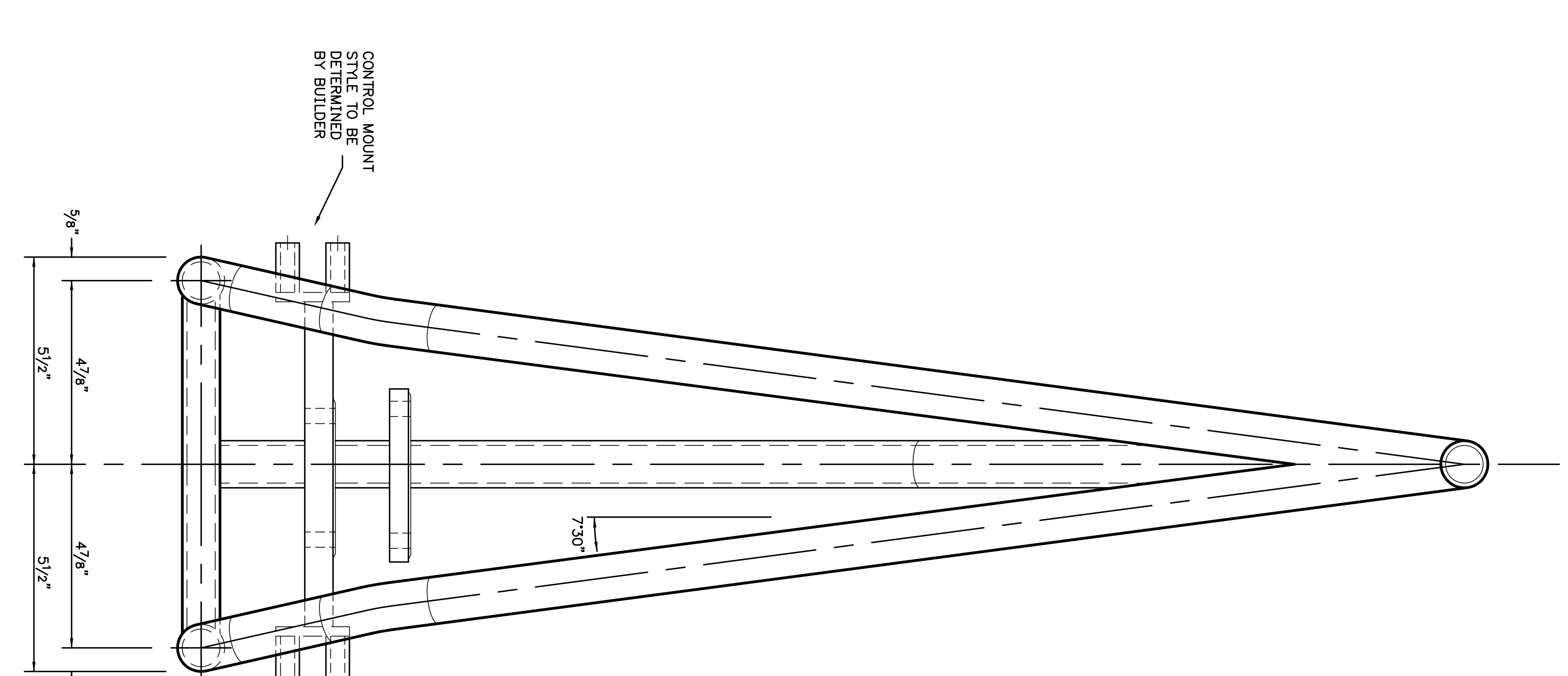
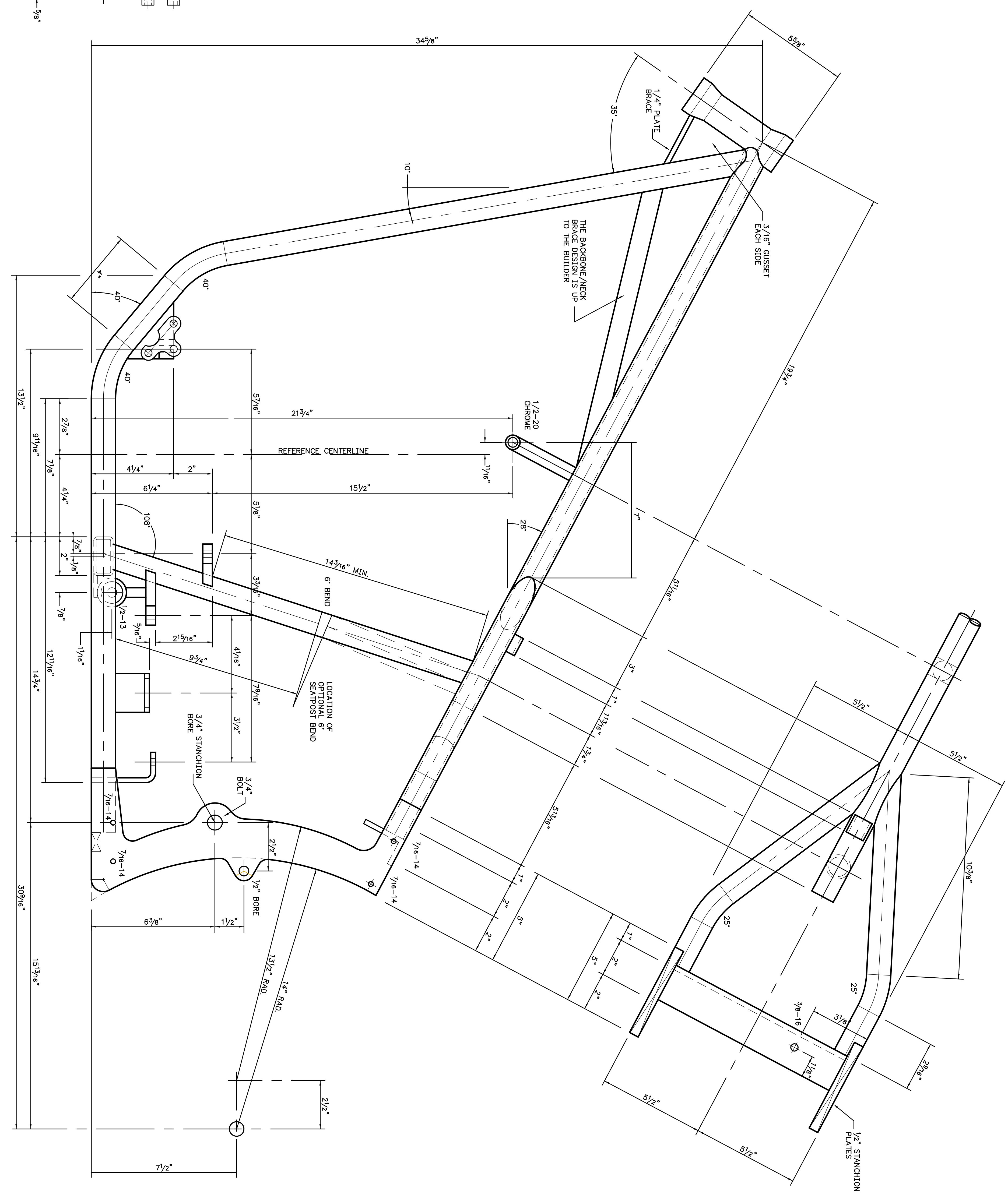
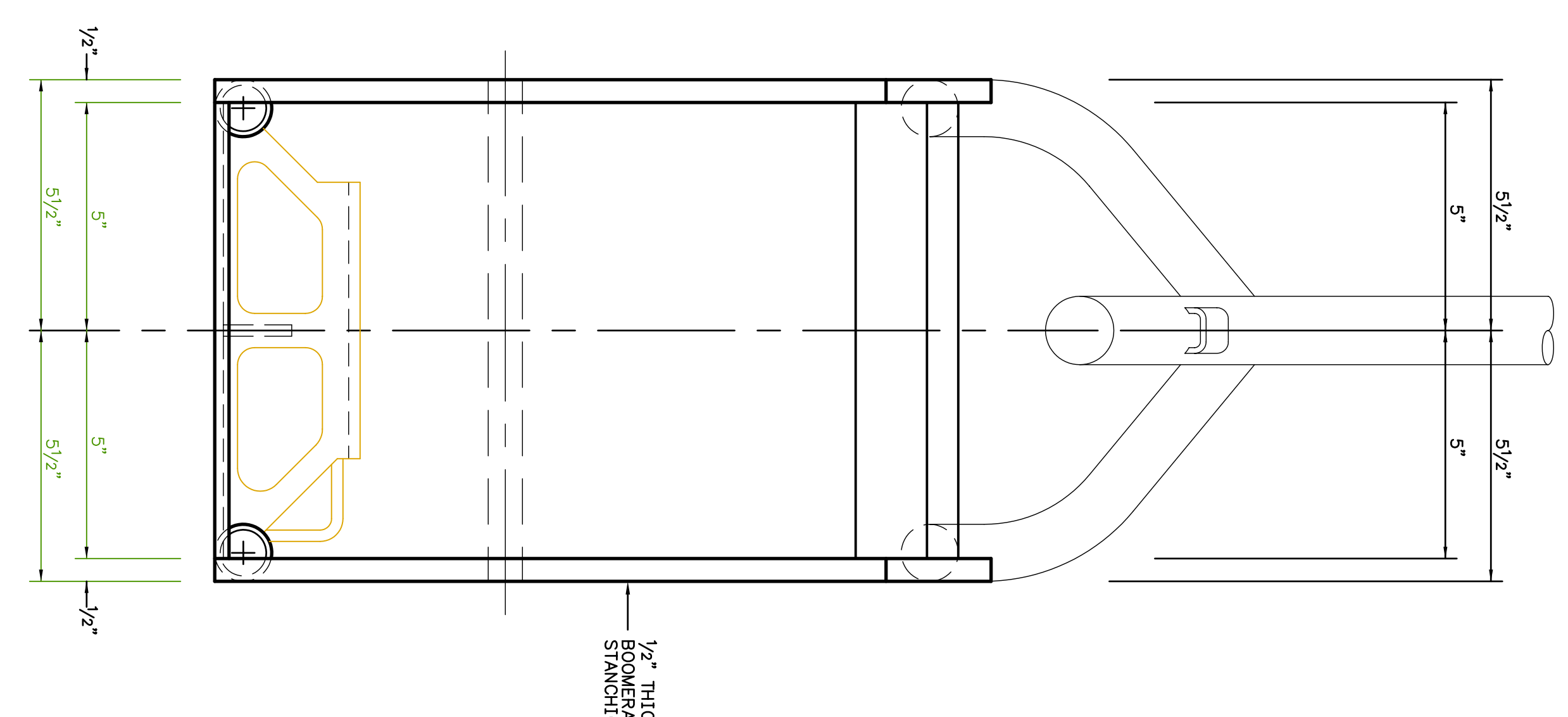
□ □ □ □ □  
 □ □ □ □ □  
 □ □ □ □ □  
 □ □ □ □ □  
 □ □ □ □ □

**GARY W. WEISHAUPT**  
 PERFORMANCE ENGINEERING  
 CHASSIS FABRICATION  
 FLOWBENCH TESTING  
 MACHINE WORK  
 RESTORATIONS

1480 RIVER PARK BLVD.  
 RIVER PARK, GA 30129  
 PH: 770-255-3472 #429  
 EMAIL: gww2@earthlink.net

| Revision           | Date     |
|--------------------|----------|
| * INITIAL LAYOUT   | 12-7-04  |
| * GENERAL REVISION | 12-28-04 |
| * GENERAL REVISION | 1-8-05   |

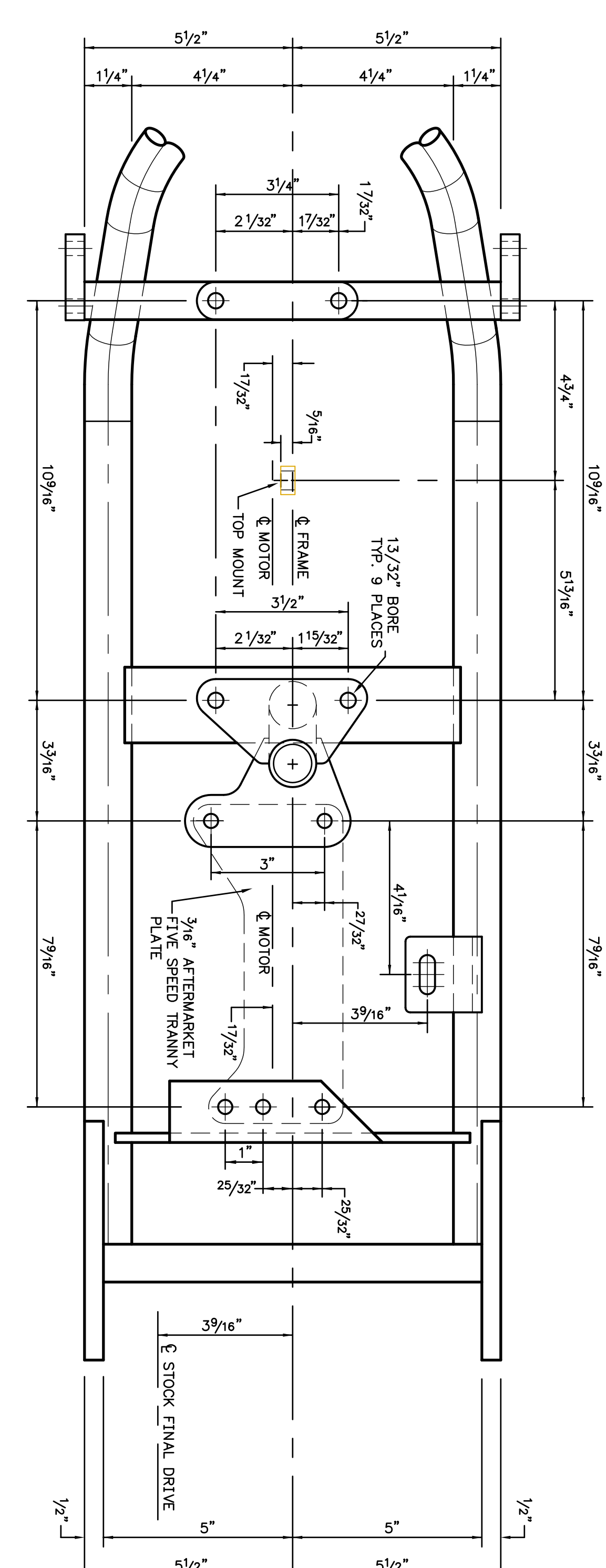
Project Title  
**SOFTAIL CHOPPER FRAME**  
**REFERENCE DATA**



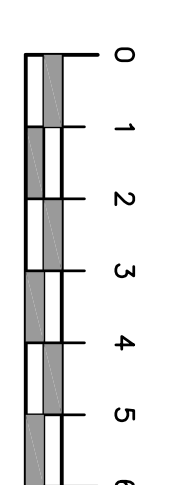
**MATERIAL SCHEDULE**

|                       |               |          |
|-----------------------|---------------|----------|
| ① STEERING NECK       | KSP OR EQUAL  | -        |
| ② BACKBONE (TOP TUBE) | 1.25x.120 ERW | 36"      |
| ③ SEAT POST           | 1.25x.120 ERW | 22"      |
| ④ NECK GUSSET TUBE    | 1.00x.120 ERW | 19"      |
| ⑤ WISHBONE TUBES (2)  | 1.25x.120 ERW | 20" E.A. |
| ⑥ DOWN TUBES } (2)    | 1.25x.120 ERW | 69" E.A. |
| ⑦ SEAT POST BRACE     | 1.25x.120 CR  | 12"      |
| ⑧ REAR TRANS BRACE    | 1.25x.120 ERW | 12"      |
| ⑨ WISHBONE BRACE      | 1.25x.120 ERW | 12"      |

- GENERAL NOTES**
- THIS SERIES OF DRAWINGS HAS BEEN DEVELOPED FOR THE SOLE PURPOSE OF SERVING AS REFERENCE MATERIALS DURING THE CONSTRUCTION OF CUSTOM MOTORCYCLE FRAMES. DO NOT USE THESE DRAWINGS DURING THE CONSTRUCTION OF A STOCK MOTORCYCLE.
  - BASE REFERENCE DIMENSIONS SHOWN HEREIN WERE DERIVED FROM HASELY-DAVIDSON SHOP DRAWINGS DATED AUGUST 22, 1951 FOR THE REVISED PANEHD MOTOR INSTALLATION. (GEM 4700-48A).
  - THE FRAMES SHOWN HEREIN ARE INTENDED FOR USE WITH STOCK HUBS FOR HIGH PERFORMANCE MODIFICATIONS.
  - FRAMES AND/OR COMPONENTS DEPICTED HEREIN ARE INTENDED TO BE CONSTRUCTED BY SKILLED PROFESSIONAL WELDERS AND FABRICATORS WHO WILL NOT BE RESPONSIBLE FOR DAMAGES THAT RESULT FROM IMPROPER APPLICATION AND INTERPRETATION OF THESE DRAWINGS OR SUB-STANDARD WORKMANSHIP.
  - NOTE THAT UNLESS SPECIFIED OTHERWISE ALL TUBING BENDS ARE BENDED UPON A 4.5" GENERAL RADIUS.



**MOTOR MOUNTS - PLAN VIEW - CHAIN DRIVE**  
 SCALE 3/8" = 1"



Sheet No.  
**ST-180.1**

|             |           |
|-------------|-----------|
| Drawn By    | GWW       |
| Date        | 1-8-05    |
| Checked By  | HC        |
| Date        | 1-10-05   |
| Scale       | 3/8" = 1" |
| Project No. | -         |

Part Description  
**SOFTAIL CHOPPER DIMENSIONS**  
**DESIGN ST-180**  
**"SNEAKY-PETE"**